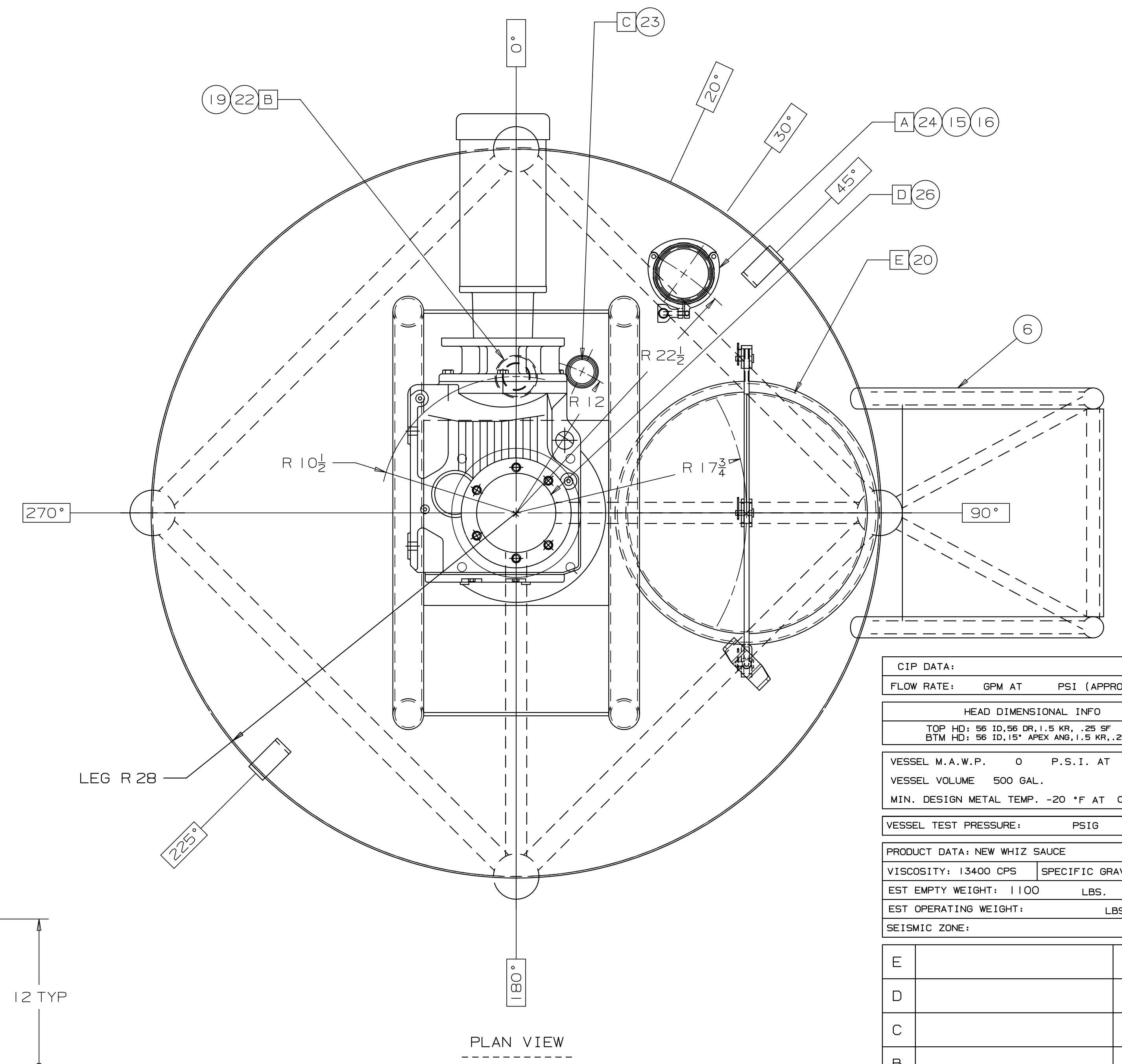


EURODRIVE KF-87LP145TC-KS  
 1:15.82:1 GEAR RATIO, 145TC, SF=2.0  
 C-FACE LP ADAPTER SEVERE DUTY,  
 USDA WASHDOWN WHITE PAINT,  
 FOOD GRADE LUBE (CHEVRON FM460X)  
 DOUBLE VITON SEALS, EXTENDED  
 KEYWAY.

RELIANCE 3HP 1800 RPM MOTOR  
 EASY CLEAN PLUS #PI4X3049  
 3/60/230-460V TEFC  
 E-MASTER ENERGY EFFICIENT  
 145TC C-FACE FOOTLESS

ELEVATION VIEW  
 (SEE PLAN VIEW FOR TRUE ORIENTATION OF FITTINGS)



PLAN VIEW

NOTES:  
 1. IF THIS EQUIPMENT IS USED IN CONTACT WITH  
 CORROSIVE MATERIALS (SALT, CHLORIDES, HALOGENS  
 OR OTHER CORRODENTS) DCI, INC. WILL NOT BE  
 RESPONSIBLE FOR THE CORROSION RESISTANCE,  
 OR THE RESULTING DAMAGE WITHOUT WRITTEN  
 ACCEPTANCE OF SUCH CORROSIVE CONDITIONS BY  
 DCI, INC. BASED UPON A SPECIFIC INTENDED  
 USE AND/OR SERVICE.

ITEM	MATERIAL DESCRIPTION	MATERIAL SPEC	INTERIOR VOLUME	EXTERIOR VOLUME
SHELL	SHT, 11 GA	AL6XN	150	28
TOP HEAD	SHT, 11 GA	AL6XN	150	120
BTM HEAD	SHT, 11 GA	AL6XN	150	120
LEGS	PIPE, 3" SCH 10	SA312, 304	150	28
FITTING GASKETS				
MANWAY GASKET				

CIP DATA:	
FLOW RATE:	GPM AT PSI (APPROX.)
HEAD DIMENSIONAL INFO	
TOP HD:	56 ID, 56 DR, 1.5 KR, .25 SF
BTM HD:	56 ID, 15" APEX ANG, 1.5 KR, .25 SF
VESSEL M.A.W.P.:	0 P.S.I. AT 100 °F
VESSEL VOLUME:	500 GAL.
MIN. DESIGN METAL TEMP.:	-20 °F AT 0 P.S.I.
VESSEL TEST PRESSURE:	PSIG
PRODUCT DATA: NEW WHIZ SAUCE	
VISCOSITY:	13400 CPS
SPECIFIC GRAVITY:	1.0
EST EMPTY WEIGHT:	1100 LBS.
EST OPERATING WEIGHT:	LBS.
SEISMIC ZONE:	

E		
D		
C		
B		
A		
REV	REVISION DESCRIPTION	REV BY/DATE

TITLE		445 ROUND VERTICAL HOLD TANK W/ AGITATOR	
DCI ORDER NO.:		CS351 QTY REQD: 1	
This drawing is the property of DCI, Inc. and is transmitted in confidence. The reproduction, use, or disclosure, in whole or part, of the design contained herein is prohibited without the written consent of DCI, Inc.			
DIMENSIONS ARE IN INCHES UNLESS SPECIFIED			
SCALE: 11/64		DO NOT SCALE DRAWING	
PROD	APPVL	PROJ ENG	
MCKENZIE	MCKENZIE	BJH	
DATE	DATE	SALES	
7-27-99	6-22-99	KAB	
PREFIX	DWG NO.	REV	
ST. CLOUD, MN	015-02	JS0457	
SHT	OF		

MK	DESCRIPTION	SERVICE	QTY
F	3" TRI-CLAMP	OUTLET	1
E	18" MANWAY DCI A-100	MAN WAY	1
D	4" OD TUBE	AGIT ENTRY	1
C	2" TRI-CLAMP	INLET	1
B	2" OD TUBE	STD VENT ASSY	1
A	4" TRI-CLAMP	SIGHT GLASS	1

NOZZLE SCHEDULE